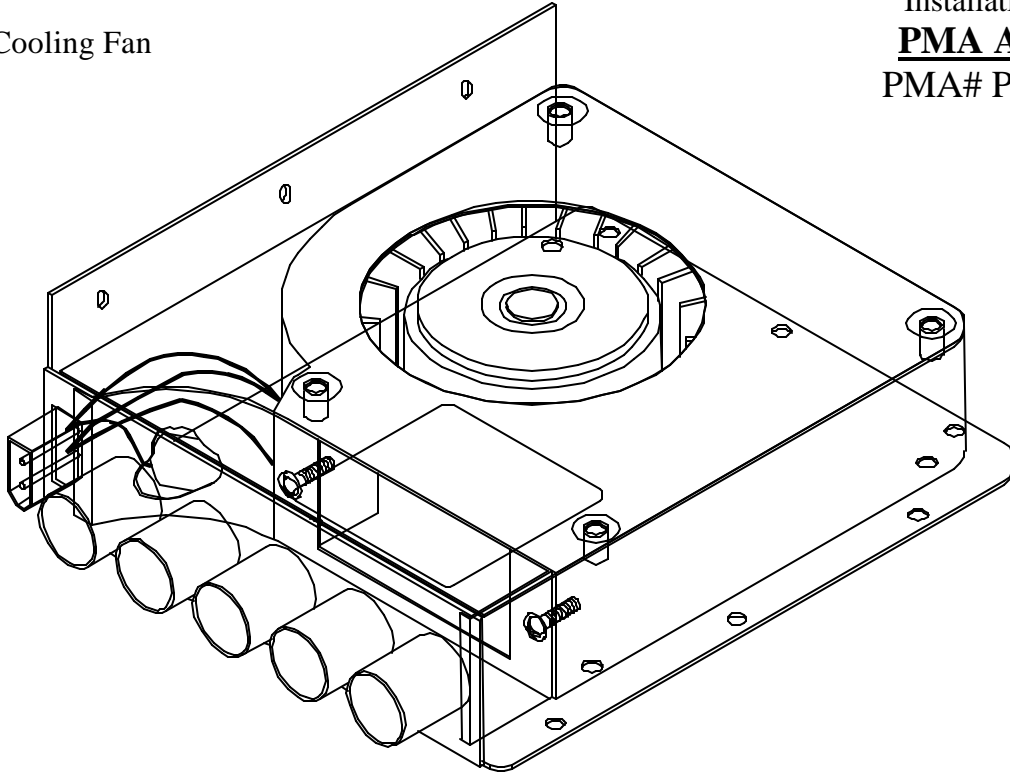


**ACF528**  
Avionics Cooling Fan

Installation Manual  
**PMA Approved**  
PMA# PQ894SW



Size  
Length 6.80"  
Width 2.10"  
Height 5.10"

DO-160C Env. Cat.  
[A1D1]-CA(MN)XXXXXXZBABATZXXX

Electrical  
Operating Voltage 28 VDC  
Operating Current 500mA  
Initial Current Draw 800mA

Environmental  
Max. Operating Temp. -20°C to +55°C  
Max. Operating Altitude 50,000 Ft.



— Pin 1 A/C A+  
— Pin 2 A/C GND  
— Pin 3 N/C

Connector and Contact Information

Description	Manufacturer	Series Number	Manu. Part Number	SANDIA Part Number
Connector Housing	Molex	1625	03-06-1032	03-06-1032
Crimp Contact	Molex	1787	02-06-1202	02-06-1202
Hand Crimper Tool	Molex	NA	*11-01-0008 or HTR1719C	NA
Extraction Tool	Molex	NA	*11-03-0002	NA
Insertion Tool	Molex	NA	*11-02-0001	NA

\* Or Equivalent Tool

