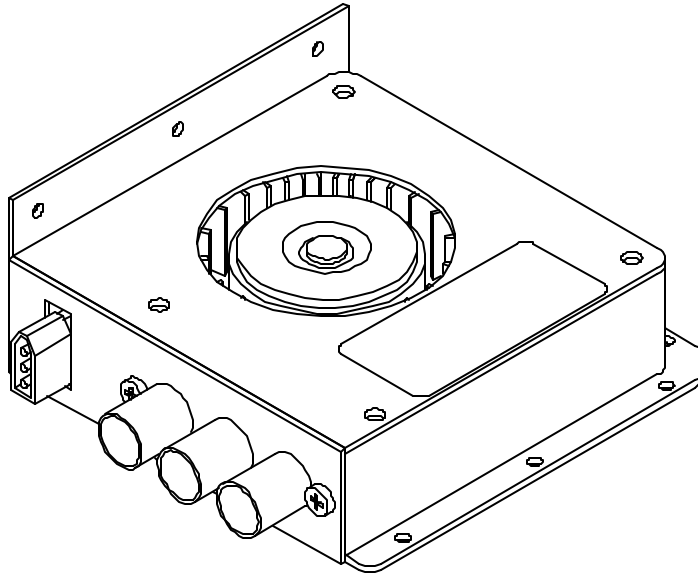


ACF328/314
Avionics Cooling Fan

Installation Manual
PMA Approved
PMA# PQ894SW



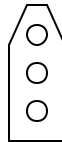
Size
Length 5.92"
Width 2.10"
Height 5.18"

DO-160C Env. Cat.
[A1D1]-CA(MN)XXXXXXXXZBABATZXXX

Electrical
Operating Voltage 28 - 14 VDC
Operating Current 500mA- 1 Amp
Initial Current Draw 800mA- 1.5 Amp

Environmental
Max. Operating Temp. -20°C to +55°C
Max. Operating Altitude 50,000 Ft.

28 VDC
A/C A+ - Pin 1
A/C GND - Pin 2
N/C- Pin 3



14 VDC
Pin 1 - N/C
Pin 2 - A/C GND
Pin 3 - A/C A+

Mating Connector and Contact Information

Description	Manufacturer	Series Number	Manu. Part Number	SANDIA Part Number
Connector Housing	Molex	1396	03-09-1032	305183
Crimp Contact	Molex	1381	02-09-1119	305182
Hand Crimper Tool	Molex	NA	*11-01-0084 or HTR1031E	NA
Extraction Tool	Molex	NA	*11-03-0006	NA
Insertion Tool	Molex	NA	*11-02-0003	NA

* Or Equivalent Tool

