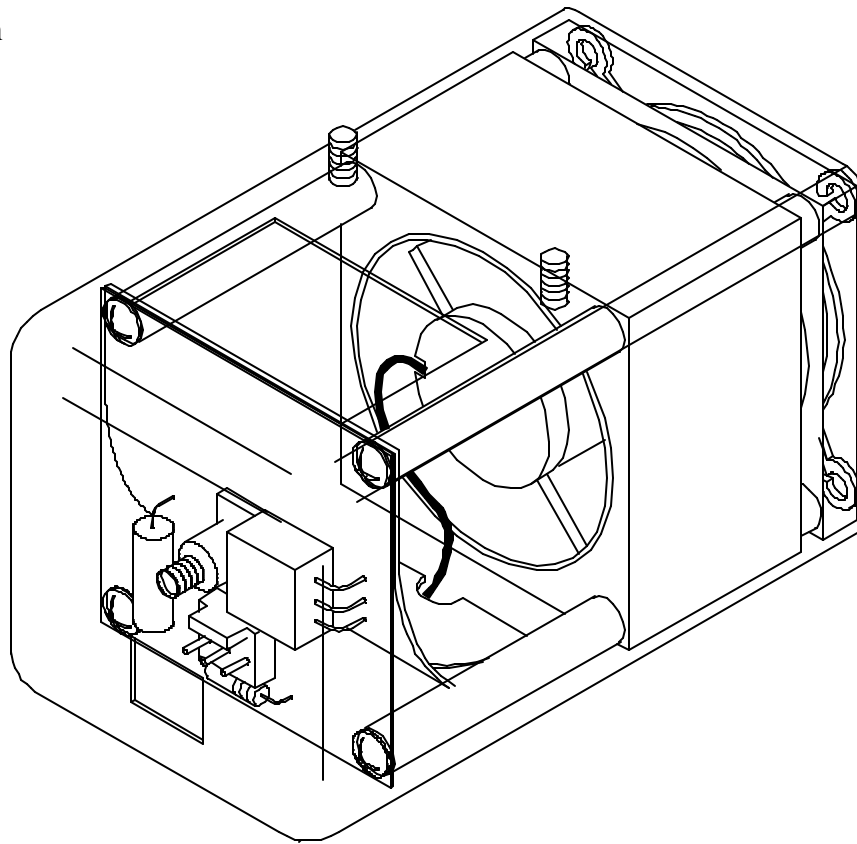


ACF100
Avionics Cooling Fan

Installation Manual
PMA Approved
PMA# PQ894SW

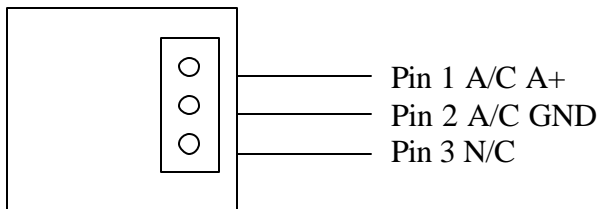


Size
Length 1.65"
Width 1.65"
Height 2.85"

DO-160C Env. Cat.
[A1D1]-CA(MN)XXXXXXZBBBATZXXX

Electrical
Operating Voltage 12-32 VDC
Operating Current 100mA Max.

Environmental
Max. Operating Temp. -20°C to +55°C
Max. Operating Altitude 50,000 Ft.



Mating Connector and Contact Information

Description	Manufacturer	Series Number	Manu. Part Number	SANDIA Part Number
Connector Housing	Molex	2695	22-01-3037	22-01-3037
Crimp Contact	Molex	2759	08-50-0114	08-50-0114
Hand Crimper Tool	Molex	NA	*11-01-0185 or CR2262C	NA
Extraction Tool	Molex	NA	*11-03-0022	NA
Insertion Tool	Molex	NA	*63812-0000	NA

* Or Equivalent Tool