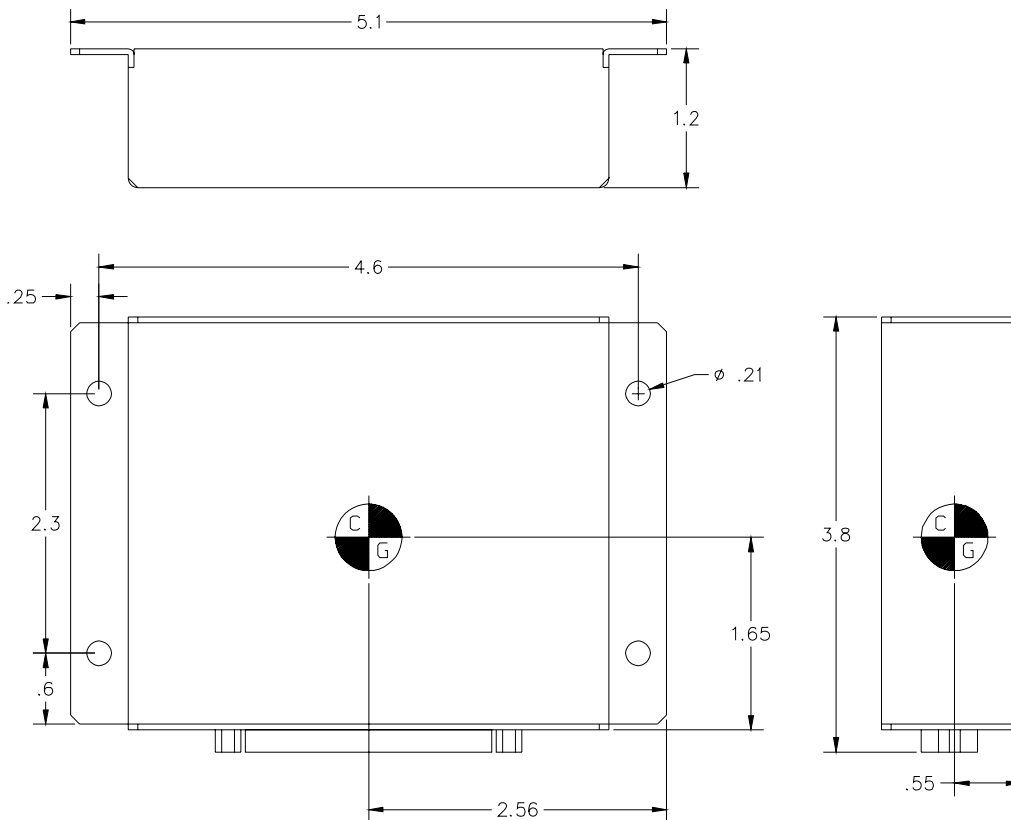


SAS 1-3
 Regulator Dimming Board
 Part Number 305024-00

Installation Sheet
 PMA Approved
 PMA # PQ894SW

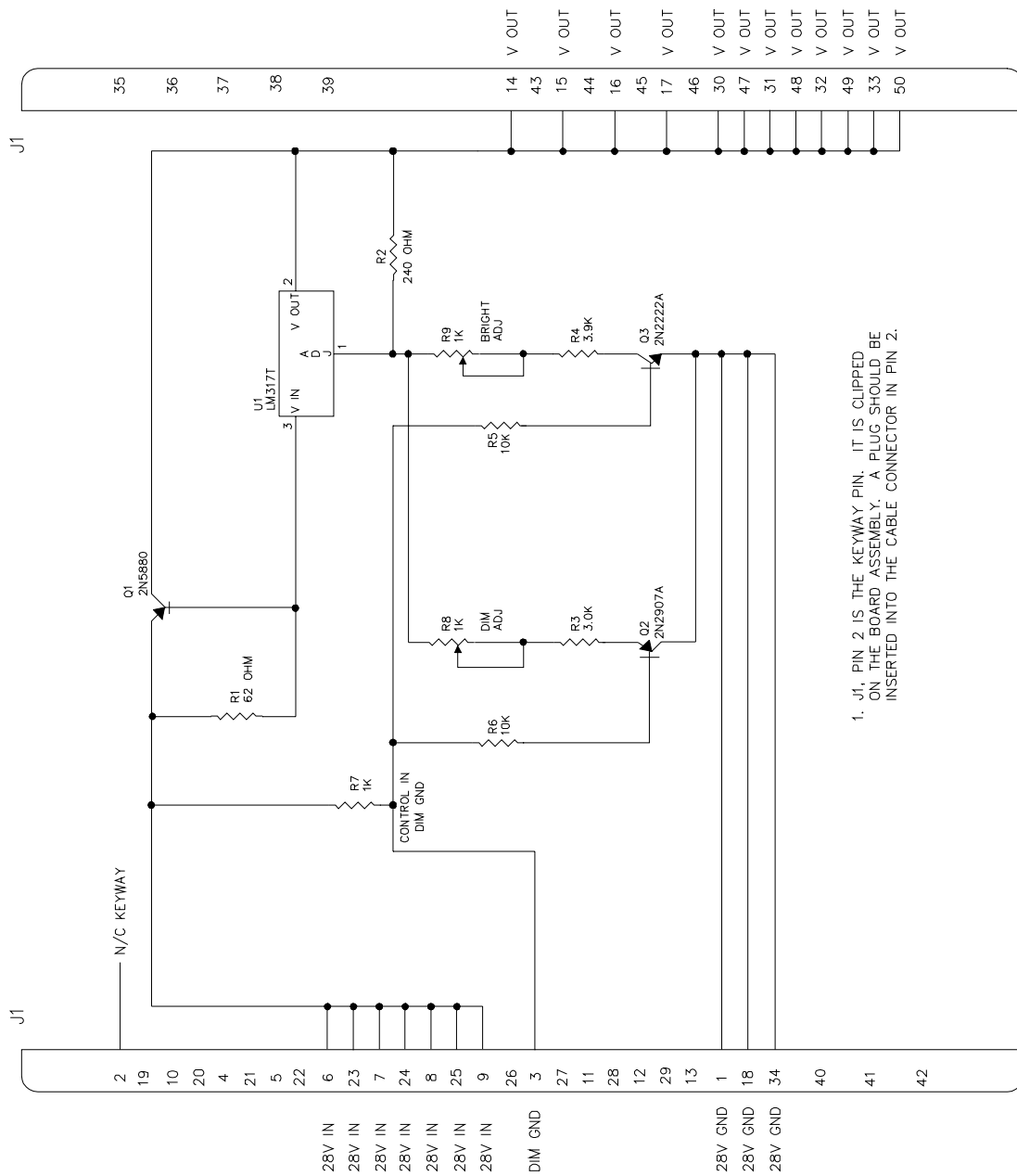


SAS 1-3 Mechanical Dimensions

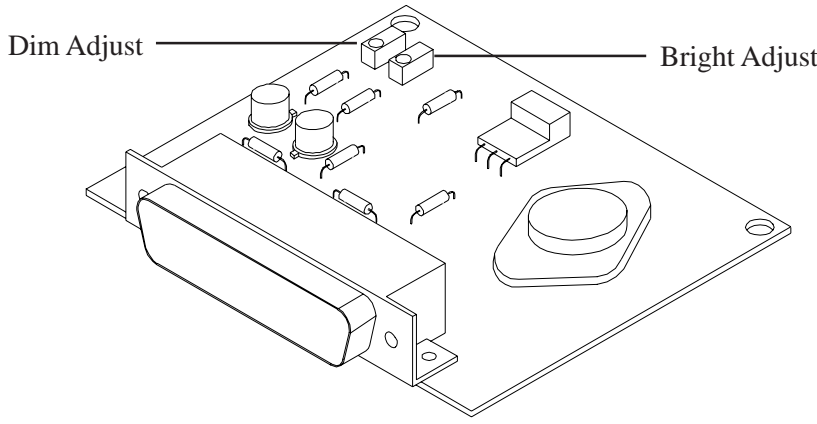
Electrical		Mechanical		Environmental	
Operating Voltage:	27.5 VDC	Length:	5.1"	Operating Temp:	-55 to +55 degrees C
Max Current:	.5 Amps	Depth:	3.8" (less connector)	Operating Altitude:	70,000 feet
Adjustment Range:		Height:	1.2"	DO-160C Env. Cat:	
High Voltage	22-25 VDC	Weight:	.43 lbs		E1BBA[(S2)(U2)]XXXXXXXXZZAZZUL
Dimmed Voltage	18-22 VDC				

Continued Airworthiness

Maintenance of the SAS 1-3 is on condition only. No Scheduled maintenance is required



1. J1, PIN 2 IS THE KEYWAY PIN. IT IS CLIPPED ON THE BOARD ASSEMBLY. A PLUG SHOULD BE INSERTED INTO THE CABLE CONNECTOR IN PIN 2.



SAS 1-3 Interconnect Wiring Diagram and Schematic